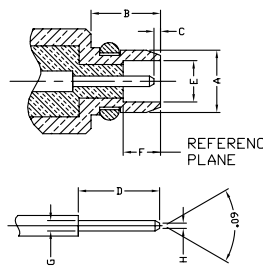


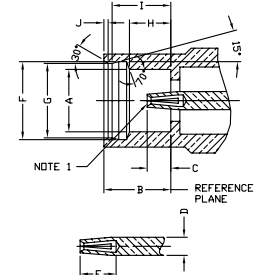
Find Reverse Polarity on page 52-57

PLUG



LETTER	INCHES [MILLIMETERS]	
	MINIMUM	MAXIMUM
A	-	.095 [2.40]
B	.106 [2.70]	-
C	.000	.010 [0.25]
D	-	.124 [3.15]
E	.062 [1.58]	.064 [1.62]
F	.057 [1.45]	-
G	.150 [0.38]	.017 [0.42]
H	-	.008 [0.20]

JACK



LETTER	INCHES [MILLIMETERS]	
	MINIMUM	MAXIMUM
A	.095 [2.41]	-
B	.102 [2.60]	-
C	.035 [0.90]	.047 [1.20]
D	.027 [0.68]	.028 [0.72]
E	.055 [1.40]	-
F	.118 [3.00]	.120 [3.04]
G	.113 [2.87]	.114 [2.90]
H	.062 [1.57]	.064 [1.63]
I	.091 [2.30]	.092 [2.34]
J	-	.009 [0.23]

NOTE 1: I.D. TO MEET VSWR AND CONTACT RESISTANCE WHEN MATED WITH .015/.017 DIA. PIN

SPECIFICATIONS	CABLE GROUPS	
ELECTRICAL SPECIFICATIONS IMPEDANCE: 50 Ω WORKING VOLTAGE RATING: 170 VRMS FREQUENCY RANGE: 0-6 GHZ MECHANICAL SPECIFICATIONS MATING: SNAP ON COUPLING INTERFACE: CECC 22000 CABLING: CRIMP AND PCB SOLDERING PLATING G - GOLD DIELECTRIC MATERIAL T - TEFLON	GRP	FOR THESE CABLE TYPES
	A	RG-178, 178A, 178B, 196, 196A/U; BELDEN 83265
	B	TIMES LMR-100A; RG-174, 188, 188A, 316/U; ALPHA 9174, 9316; BELDEN 7805A, 8216, 83269, 83284, 84316; COMMSCOPE AMC-174, WBC-100
	B1	RG-316/U DOUBLE SHIELD; RD-316; BELDEN 83269; COLEMAN 1596
FOR A MORE EXTENSIVE LISTING OF CABLE GROUPS, PLEASE REFER TO PAGES 134-145		



PHOTOS FOR REFERENCE ONLY, SHOWN AT 250% ACTUAL SIZE.

FOR MOUNTING CONFIGURATIONS REFER TO PAGES 149-164

PART #	FIG	DESCRIPTION	CBL GRP	NOTES	PLATING			RECOMMENDED TOOL
					BDY	P/C	DIE	
RMX-9000-1A	1	CRIMP PLUG	A	FOR RG-178/U	G	G	T	RFA-4009-204
RMX-9000-1B	1	CRIMP PLUG	B	FOR RG-174/U	G	G	T	RFA-4009-204
RMX-9000-1B1	1	CRIMP PLUG	B1	FOR RG-316/U DOUBLE SHIELD	G	G	T	RFA-4009-204
RMX-9010-1A	2	RIGHT ANGLE CRIMP PLUG	A	FOR RG-178/U	G	G	T	RFA-4009-204
RMX-9010-1B	2	RIGHT ANGLE CRIMP PLUG	B	FOR RG-174/U	G	G	T	RFA-4009-204
RMX-9010-1B1	2	RIGHT ANGLE CRIMP PLUG	B1	FOR RG-316/U DOUBLE SHIELD	G	G	T	RFA-4009-204
RMX-9050-1B	3	CRIMP JACK	B	FOR RG-174/U	G	G	T	RFA-4009-204
RMX-9050-1B1	3	CRIMP JACK	B1	FOR RG-316/U DOUBLE SHIELD	G	G	T	RFA-4009-204
RMX-9060-1B	4	RIGHT ANGLE CRIMP JACK	B	FOR RG-174/U	G	G	T	RFA-4009-204
RMX-9060-1B1	4	RIGHT ANGLE CRIMP JACK	B1	FOR RG-316/U DOUBLE SHIELD	G	G	T	RFA-4009-204
RMX-9350-1	5	VERTICAL PCB JACK			G	G	T	